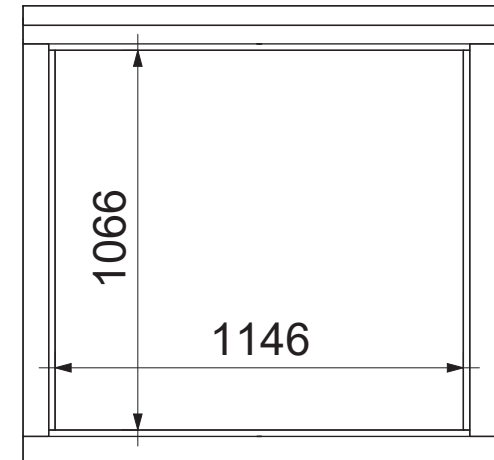
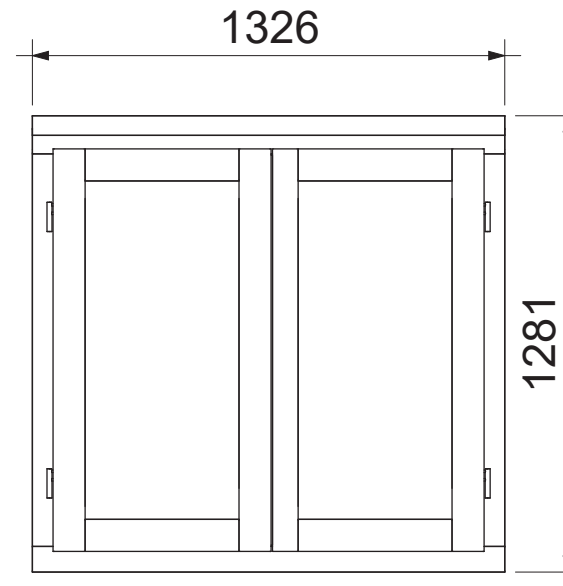
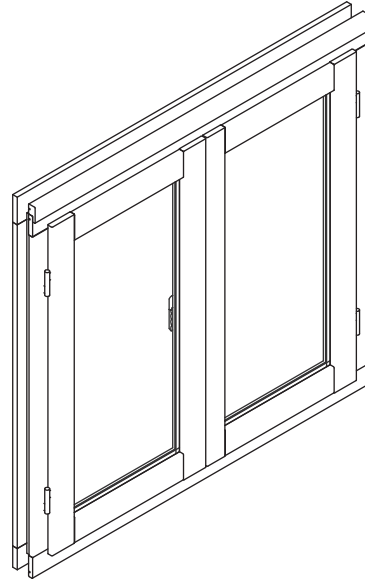


SDW-1



Main features:

- * 45mm profile, spruce wood
- * Window can be fully adjusted by using an allen key for the hinges
- * Hinges are supplied with decorative covers (black color)
- * Double glazing 4+6+4 with silicone sealant
- * Black high quality handle
- * The rubber draught excluders for wind and water resistance
- * Casing with rubber sealants from spruce
- * Outward opening window

Pictures have illustrative meaning.
Wood texture can be different
Tolerance +-3mm